

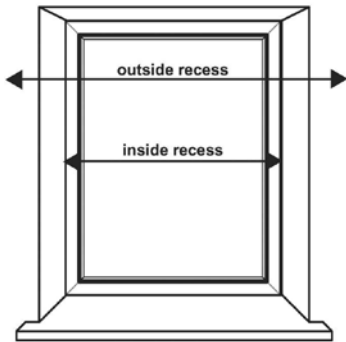
1. During the ordering process, you will have selected either 'inside recess' or 'outside recess' measurements.

outside recess

follow face fix instructions

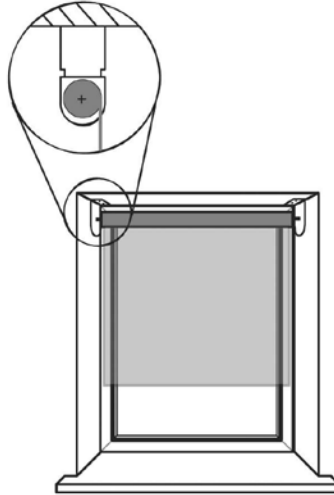
inside recess

follow top fix instructions



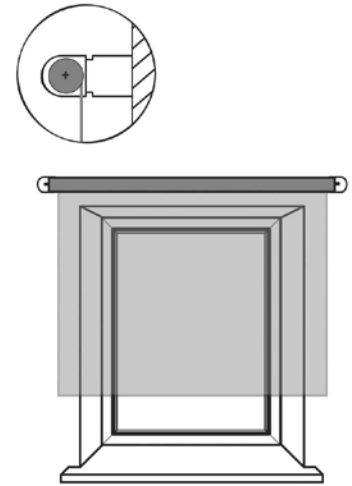
2. Top Fix

The brackets are universal and can be fitted to the lintel (under side of the recess) or to the window frame (similar to face fix).



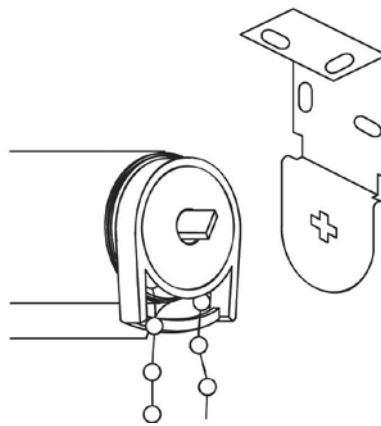
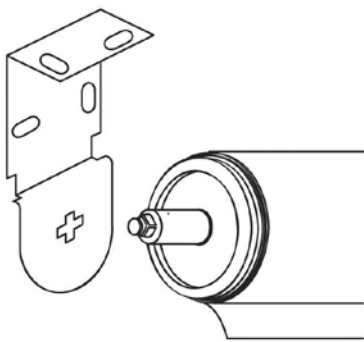
3. Face Fix

The brackets are universal and can be fitted to the wall face recess.

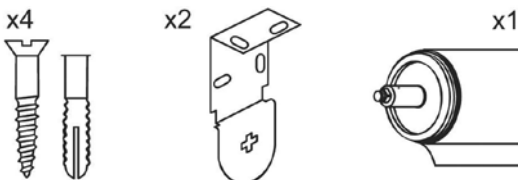


4. Either end of the roller blind is different. One end is spring loaded as shown below. When the brackets have been installed, push the spring loaded end into the hole (in the shape of '+') and then do the same with the other end to complete fitment of your roller blind.

5. Control end has a flat '-' shape that can fit into the plus '+' shape on the bracket. It can be fitted horizontally or vertically.



Pack Contents



Suggested Tools

- Screwdriver
- Drill (5mm)
- Pencil
- Tape Measure
- Spirit Level