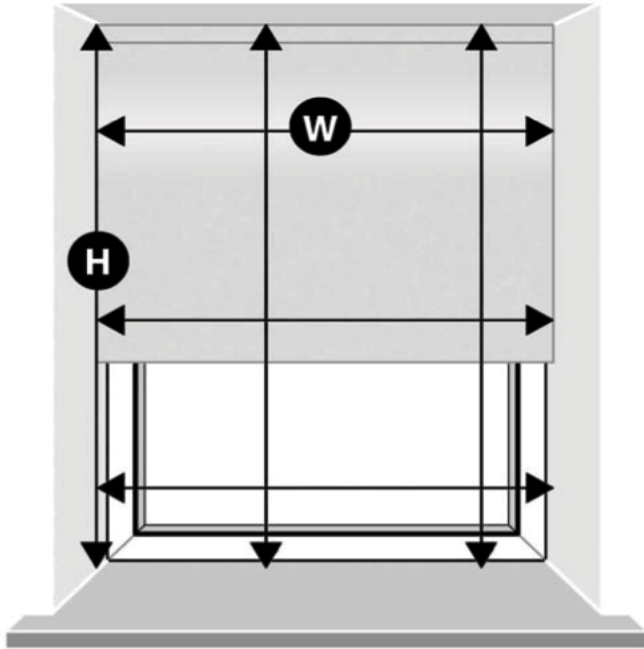


Fitting Inside a window recess



Inside Recess

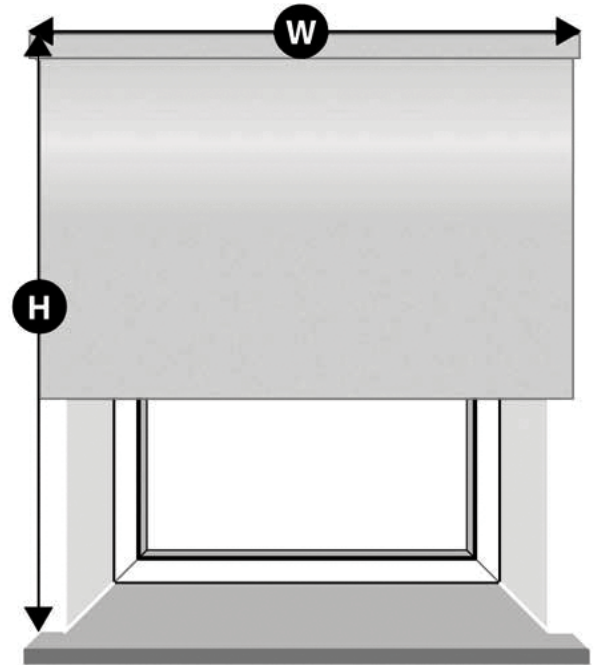
Select this option if you want to supply the size of the recess into which the blinds will fit. If you give us this measurement, then select "inside recess" as the measurement option, and measure the window recess in 3 places as shown above, and supply us with the smallest measurement. We will then deduct a small amount to allow the blinds to clear the sides and bottom to operate properly. This is usually up to 1cm either side and up to 1-2cm in the length.

Actual Blind Size

Some people like to order a blind to fit into a recess to be a particular size. In this instance you can also supply us with the actual blind size or the fabric width. If you are measuring for a blind to fit into your recess, and you want the blind to be a particular size, then select "actual blind size" as your measurement option, and enter the size you want your blind.

Remember if you select Actual Blind Size - this is what the blind will measure at the top of the roller blind including the mechanism and brackets - the 'fabric width' at the bottom will be approximately 3cm narrower than this (1.5cm each side).

Fitting outside a window recess



Actual Blind Size

When fitting a blind outside a window, we recommend that the blind is 7 - 10cm wider each side than the window recess, add 7 - 10cm above and below the window to ensure that the blind will properly cover the window when closed.

To enter sizes for this type of blind, select "actual blind size" as your measurement option, and enter the exact size you would like your blind to be. Again, remember if you select Actual Blind Size - this is what the blind will measure at the top of the roller blind including the mechanism and brackets - the 'fabric width' at the bottom will be approximately 3cm narrower than this (1.5cm each side).